

Tractor Telehandlers

MF34.9-140

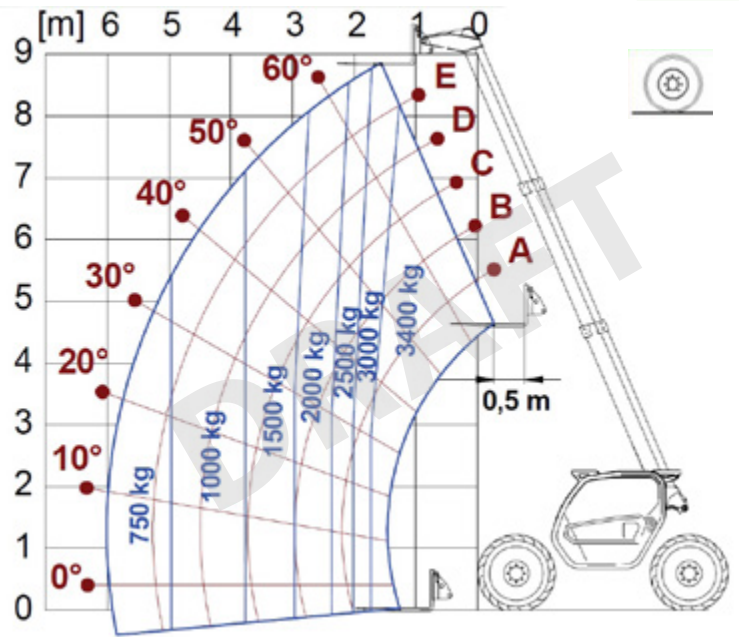




PERFORMANCE AND FEATURES	MF34.9-140	MF34.9CS-140	MF34.9CS-140 CVT
Performance			
Total unladen weight (kg)	8400	8500	8500
Maximum capacity (kg)	3400	3400	3400
Lifting height (m)	8,86	8,86	8,86
Maximum reach (m)	6	6	6
Maximum operating height (m)	8,16	8,16	8,16
Maximum operating reach (m)	1,73	1,73	1,73
Capacity at maximum height (kg)	3000	3000	3000
Capacity at maximum reach (kg)	750	750	750
Lateral boom movement (mm)	-	-	-
Tilting correction (%)	± 8	± 8	± 8
Boom sections	3	3	3
PowerTrain			
Turbo motor	DEUTZ TCD3.6	DEUTZ TCD3.6	DEUTZ TCD3.6
Displacement/cylinders	3600/4	3600/4	3600/4
Engine Power (kW/HP)	100/136	100/136	100/136
Anti-pollution technology	STAGE V, SCR+DOC+DPF	STAGE V, SCR+DOC+DPF	STAGE V, SCR+DOC+DPF
Reversible fan	○	○	○
Maximum speed (km/h)	40	40	40
Fuel tank (l)	140	140	140
AdBlue tank (l)	18	18	18
Hydrostatic transmission	● - 2V	● - 2V	CVTronic
EPD	Plus	Plus	Plus
Auto-revving joystick	●	●	●
Axles - Reducers	Axial, Epicyclic	Axial, Epicyclic	Axial, Epicyclic
Machine brakes	Dry discs	Dry discs	Dry discs
Automatic parking brake	●	●	●
Hydraulic			
Hydraulic pump	LS + FS	LS + FS	LS + FS
Flow rate/pressure (l/min - bar)	145 - 210	145 - 210	145 - 210
Hydraulic tank	100	100	100
Hydraulic outlet at the top of the boom	●	●	●
Rear hydraulic outlets	2 - ●	2 - ●	2 - ●
Cab			
Cab configuration	ECO	ECO	ECO
ASCS Adaptive Stability Control System	Light	Light	Light
FOPS LIV II cab	●	●	●
ROPS cab	●	●	●
Cab commands	Electronic joystick	Electronic joystick	Electronic joystick
Tilting Cab	-	-	-
Reverse shuttle	Dual reverse	Dual reverse	Dual reverse
Configuration			
Cab suspension	-	●	●
Boom suspension	○	○	○
Suspension on axles	-	-	-
Work headlights on cab	●	●	●
Sun blind	○	○	○
Tac-lock	●	●	●
Provision for a platform	○	○	○
Two floating forks	●	●	●
Inching-Control	●	●	●
Four-wheel drive	●	●	●
Four-wheel steering	●	●	●
Three steering modes	●	●	●
Standard tyres	460/70-R24	460/70-R24	460/70-R24
Optional tyres	400/70 20"; 405/70 20"; 400/70 24"; 405/70 24"; 405/70 R20; 460/65 R24"	400/70 20"; 405/70 20"; 400/70 24"; 405/70 24"; 405/70 R20; 460/65 R24"	400/70 20"; 405/70 20"; 400/70 24"; 405/70 24"; 405/70 R20; 460/65 R24"
Stabilisers	-	-	-
Turret rotation	-	-	-
Type approval as an agricultural tractor	●	●	●
Approval with PNEUMATIC braking	○	○	○
Approval with HYDRAULIC braking	○	○	○
PTO	●	●	●
3-point linkage	●	●	●

- Not Available
● Standard
○ Optional

Load charts

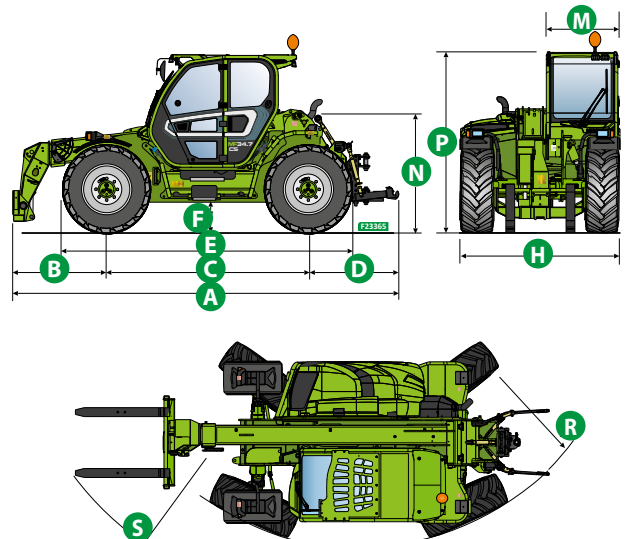


MF34.9

Dimensions



	MF34.9		
A (mm)	5440		
B (mm)	1325		
C (mm)	2850		
D (mm)	1265		
E (mm)	4100		
F (mm)	430		
H (mm)	2240		
M (mm)	1010		
N (mm)	-		
P (mm)	2485		
R (mm)	3825		
S (mm)	4900		



Your Merlo dealer



MERLO S.P.A.

Via Nazionale, 9

12010 S. Defendente di Cervasca, (Cuneo) Italia

Tel. +39 0171 614111

Fax +39 0171 684101

info@merlo.com

www.merlo.com

